

Filter housing Cartridge filter AFK30-40 ATEX

1. Introduction

The AFK cartridge filter housings conform to PED 97/23/EC category III.

This ATEX cartridge filter housing can be used within the specified explosive atmospheres.

ATEX

This cartridge filter housing is certified to conform to Ex II 2G T4 as described in directive 94/9/EC.

The Ex marking indicates industrial equipment category 2 suitable for gases, vapours and mists with a maximum surface temperature of 135 °C.

This filter is suitable for an explosive atmosphere caused by gases, vapours and mists that occasionally occurs, this is zone 1 as described in directive 99/92/EC. This filter provides a high level of safety. Devices suitable for zone 1 are also suitable for zone 2. This filter is only suitable for media that do not generate static electricity.



2. Features

- Cover closing with hinged eye bolts and eye nuts (stainless steel)
- Designed with special devices on the eye bolts preventing them from falling onto the housing
- Flat cover with handle and special hinge device for ATEX safe opening and closing
- Earthing connection between cover and body
- Earthing lug on leg CE and ATEX name plates
- Fully drainable vessel
- O-ring sealing: standard Buna-N Other materials on request
- Compact design
- Pickled and passivated
- Suitable for 10 filter cartridges of 30" or 40" length

4. Models

This ATEX cartridge filter housing is available in two standard sizes in stainless steel. These are available with flanged connections.

Other standard filter housings

MAHLE Industrial Filtration also supplies other standard filter housings suitable for all industrial liquid and gas applications for various flow rates. For more information please contact your representative.

3. Standard specifications

Design pressure	: -1 / 10 bar(g)
Design temperature	: -10 / 150 °C (ATEX 135 °C)
Operating temperature	: depending on the filter media and gaskets used
ATEX	: Ex II 2G T4
Design	: AD-2000 Regelwerk
Approval	: PED 97/23/EC cat. II/III
Maximum differential pressure	
design	: 2.5 bar
operating	: depending on type of filter cartridge

The internal construction is designed to suit:

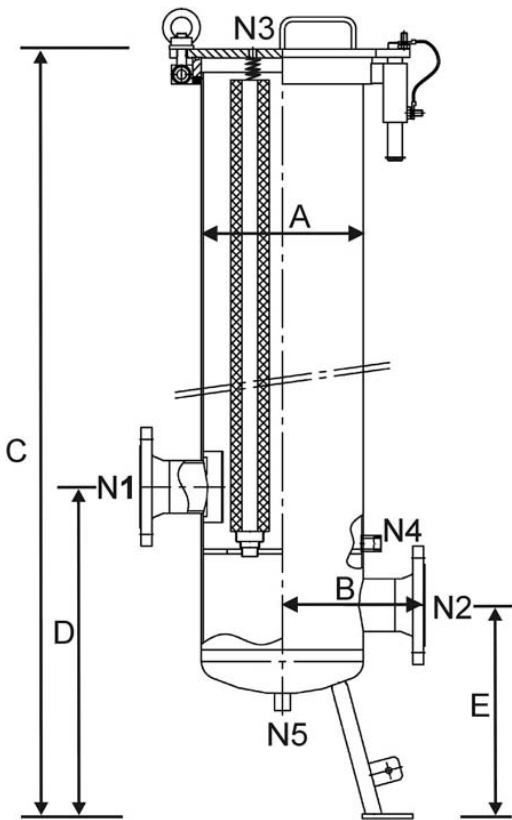
- Double Open End X0, X4 and X9
- Single Open End X3

For use of DOE cartridges, tube guides and compression springs are supplied for quick and trouble free installation. For filter cartridges with X3 end cap configuration a compression plate is recommended.

5. Filter cartridges

MAHLE Industrial Filtration supplies a wide range of filter cartridges in different materials, pore sizes, dimensions and models to fit in amafilter housings as well as those of other manufactures. For detailed information about filter cartridges, please contact your representative.

6. Dimensions



Nozzle specification	
N1 :	Inlet (DN80 EN1092-1 PN16)
N2 :	Outlet (DN80 EN1092-1 PN16)
N3 :	Vent (Rp $\frac{1}{4}$ - ISO7-1)
N4 :	Dirt drain (Rp $\frac{1}{2}$ - ISO7-1)
N5 :	Clean drain (Rp $\frac{1}{2}$ - ISO7-1)

Model	Dimensions						
	Diameter [mm] A	Standout [mm] B	Height [mm] C	Nozze height [mm] D	Nozze height [mm] E	Volume [dm ³]	Weight [kg]
AFK30	273	240	max. 1285	560	360	60	max. 60
AFK40	273	240	max. 1560	560	360	75	max. 65

Height required for changing cartridges is height C plus cartridge length.

Dimensions are for reference only. Use dimensional drawing for installation purposes.

Subject to technical alteration without prior notice.

7. Ordering code

Example

amafilter type	AFK30	3	T	3F	EX
AFK30					
AFK40					
Cartridge length					
3 = 30"					
4 = 40"					
Material					
T = 316Ti (1.4571)					
Inlet/outlet					
3F = DN80 acc. EN1092/PN16					
ATEX					
EX = Ex II 2 G T4					

MAHLE

Industrial Filtration

MAHLE Industrial Filtration (Benelux) B.V.
P.O.Box 396 1800 AJ
Alkmaar - The Netherlands
Phone +31 (0) 72 5273400
Fax +31 (0) 72 5125207
mahle.amafilter@mahle.com
www.mahle-industrialfiltration.com
10/2009