

MAHLE

Industrial Filtration

Dust filter cartridge

160 NK

Ø 160 mm, Type 852 054, 984 mm long

1. Features

The conical MAHLE 852 054 dust filter cartridge unites optimum flow behaviour with excellent cleaning properties for even the most problematic dusts.

The wide range of high-quality media together with our long history of experience in air cleaning technology make MAHLE a trustworthy partner for a multitude of applications.

In combination with the MAHLE VAE cleaning unit (pressure cleaning with a multi-jet nozzle), this filter cartridge provides an efficient solution in exceptionally challenging environments.

Characteristics

- High volume flows
- Optimised flow conditions
- Excellent cleaning properties
- Worldwide distribution



2. Technical data

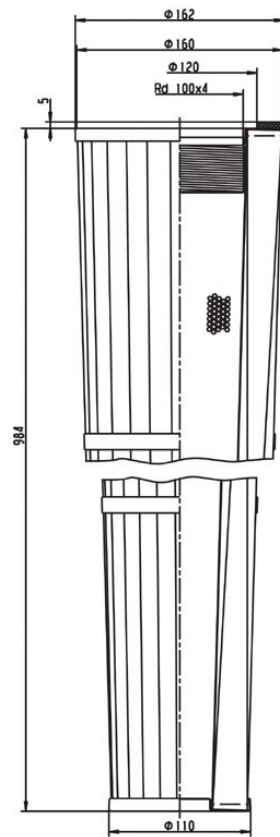
Materials

Inner core:	Galvanized steel (standard) or stainless steel V4A - 1.4571
End caps:	Galvanized steel (standard) or stainless steel V4A - 1.4571
Seal:	self-adhesive needle felt
Filter material:	Ti 07 - Electrically conductive polyester fleece with PTFE membrane Ti 08 - Electrically conductive polyester fleece Ti 15 - Polyester fleece Ti 19 - PP meltblown microfibre with support liner Ti 56 - Polyester fleece with PTFE membrane

Cleaning

Nozzle:	Multi-jet nozzle G ¾
Cleaning pressure:	4 -6 bar (max. 7 bar)
Differential pressure:	max. 18 mbar
Compressed air consumption per cleaning pulse:	23 l (fad)
Compressed air reservoir capacity:	approx. 5 l per filter cartridge

Technical data is subject to change without notice!



3. Order numbers

Order number	Type designation	Filter material	Filter surface [m²]	Max. vol. flow** [m³/h]	Max. operating temperature. [°C]	Electr. conductive	Comments
70328072	852 054 Ti 07-2.5	Ti 07	2.5	350	120	yes	for explosive dusts, very high separation efficiency
70328077	852 054 Ti 07-2.5 V4A*				130		for explosive dusts, very high separation efficiency, approved for FDA-applications
70328083	852 054 Ti 08-3.5	Ti 08	120		for explosive dusts		
70328088	852 054 Ti 08-3.5 V4A*		130		for explosive dusts, approved for FDA-applications		
70317049	852 054 Ti 15-3.5	Ti 15	3.5		120	no	Good chemical resistance, high stability
70317050	852 054 Ti 15-3.5 V4A*				130		Good chemical resistance, high stability
70328092	852 054 Ti 19-2.5	Ti 19	2.5		90		High separation efficiency, especially for fine dusts
70328094	852 054 Ti 56-2.5	Ti 56			120		High separation efficiency, suitable for fine dusts
70328096	852 054 Ti 56-2.5 V4A*			130			

* Version made of stainless steel V4A - 1.4571 or equivalent

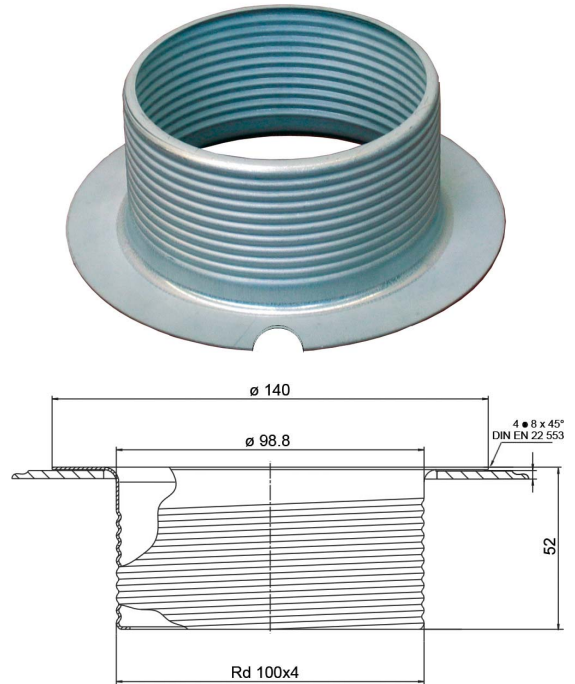
** These values may vary depending on the nature of the dust and the composition of the gas.

4. Installation

The 852 054 dust filter cartridge can be mounted on and dismantled from the the filter plate using the Rd100x4 mounting thread adapter - no tools required.

A hole with a diameter 108 mm must be drilled in the filter plate in order to mount the thread adapter. The mounting thread adapter should be spot-welded to the filter plate as shown in the drawing.

The Rd100x4 mounting thread adapter is available from MAHLE in galvanized steel or stainless steel V4A - 1.4571.



5. Accessories

Order number	Designation
70316990	Mounting thread adapter Rd100x4, galvanized steel
70316991	Mounting thread adapter Rd100x4, stainless steel V4A - 1.4571
70343901	VAE 16 row gas $\frac{3}{4}$
70343906	VAE 16 row gas $\frac{3}{4}$ V2A - 1.4301
76360283	Nozzle $\frac{3}{4}$ aluminium
79341447	Nozzle $\frac{3}{4}$ V4A - 1.4571

6. Cleaning

We recommend cleaning the dust filter cartridge with the MAHLE multi-jet nozzle. The optimised geometry of the multi-jet nozzle guarantees excellent cleaning results with a significantly lower noise level.

The multi-jet nozzle is available from MAHLE in aluminium or stainless steel. It can also be purchased as part of the MAHLE VAE cleaning unit, comprising the nozzle, a tripod and various small assembly components. The tripod maintains an optimum distance from the cartridge to ensure maximum cleaning efficiency.



7. Design

Please contact us for detailed technical information, any open questions and for general expert advice. Completion of the relevant questionnaire would facilitate in the coordination of all important parameters.

Comprehensive documentation on our product range, cleaning units and cartridges can be provided.

MAHLE Filtersysteme GmbH
Industriefiltration
Schleifbachweg 45
D-74613 Öhringen
Telefon +49 (0) 7941/67-0
Telefax +49 (0) 7941/67-23429
industriefiltration@mahle.com
www.mahle-industriefiltration.com
70342665.06/2007